

MST

MAX SPEED TECHNOLOGY



EMX

OFF ROAD

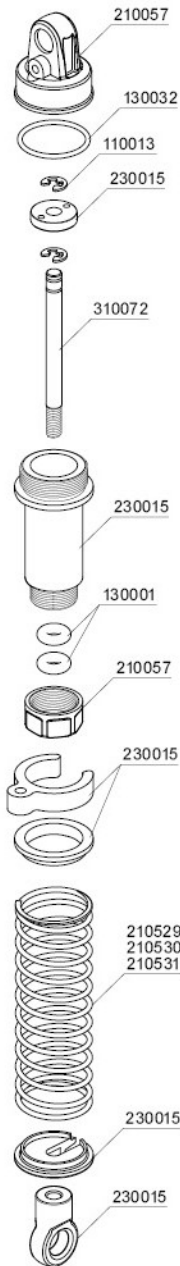
1/10 RC 4WD HIGH PERFORMANCE OFF ROAD CAR

WWW.RC-MST.COM

*SPECIFICATION ARE SUBJECT TO CHANGE WITHOUT NOTICE

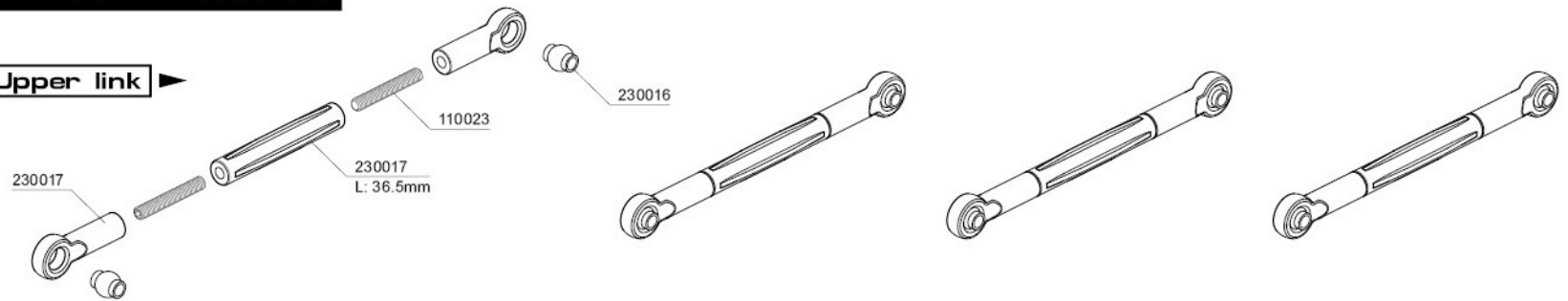
EXPLODED MANUAL

WHEELBASE : 242 / 252 / 267mm [adjustable]
* Additional parts are required to 267mm setting
WIDTH : 195mm
GEAR RATIO = 1:19 ~ 1:42.6
TIRE WIDTH / DIAMETER : 30×90mm

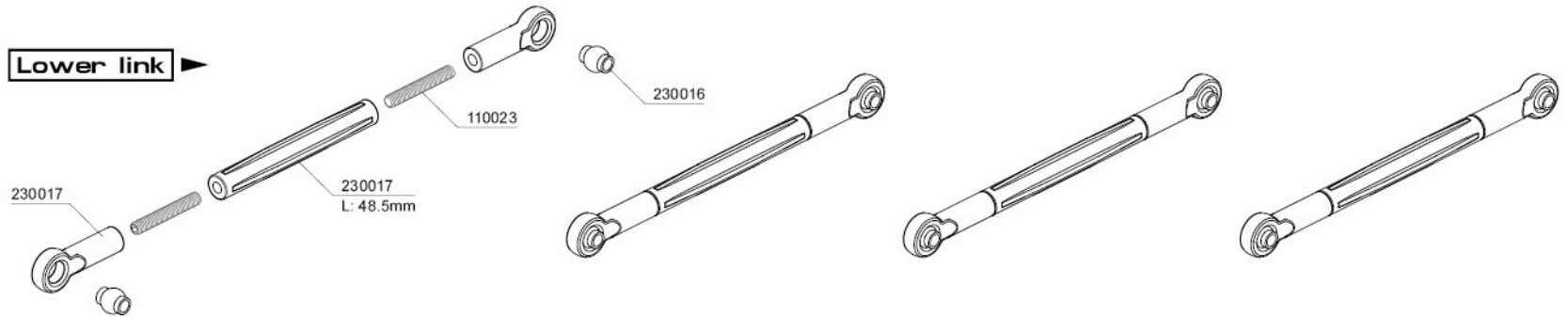


For 242mm wheelbase

Upper link

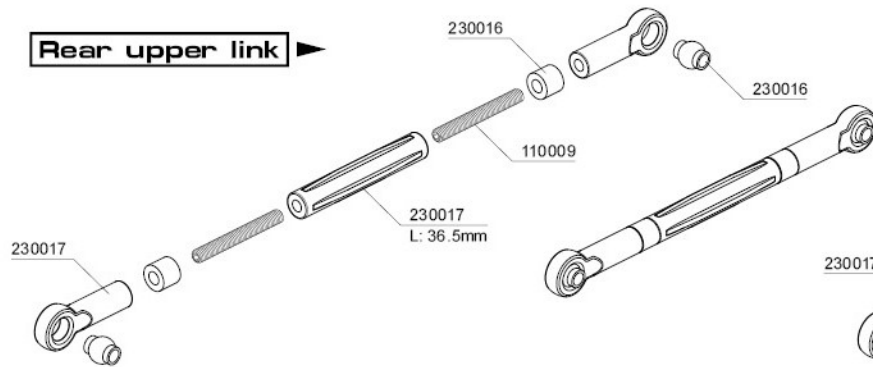


Lower link

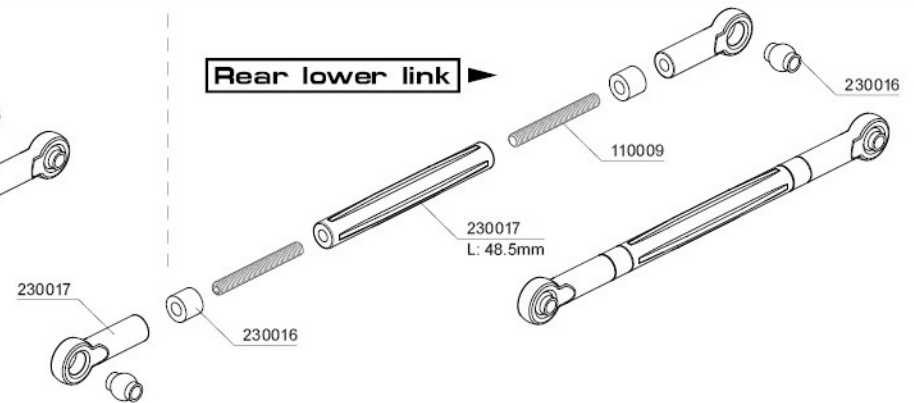


For 252mm wheelbase

Rear upper link

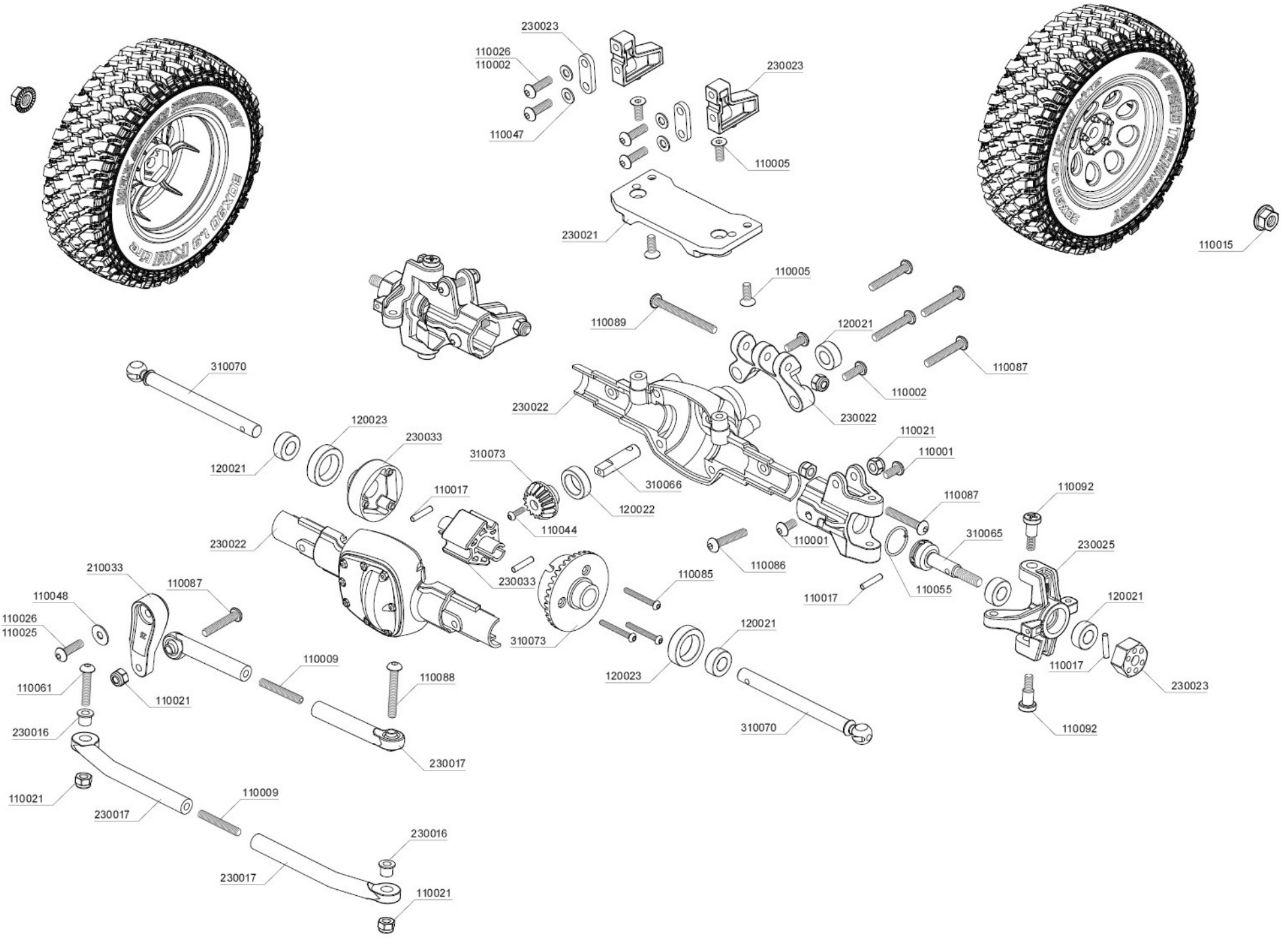


Rear lower link

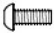



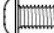
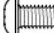

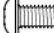

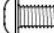
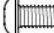





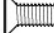
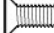














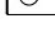















For 267mm wheelbase

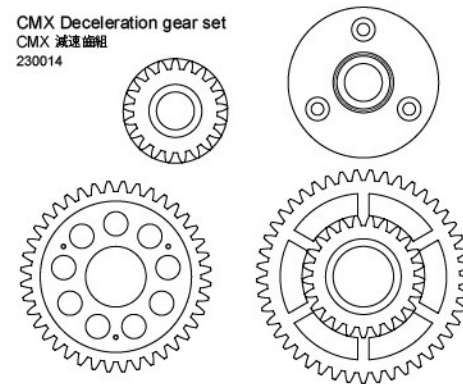
※ Additional parts are required to 267 mm setting.
需要額外的配件變更軸距為 267 mm.



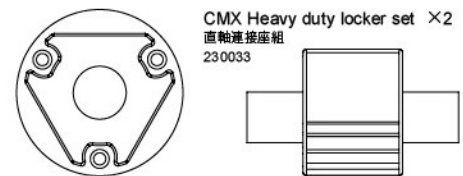
PARTS

-  M2×5 screw ×3
圓頭螺絲
110050
-  M2×6 screw ×2
圓頭螺絲
110044
-  M2×10 screw ×6
圓頭螺絲
110084
-  M2×16 screw ×6
圓頭螺絲
110085
-  M3×5 screw ×5
圓頭螺絲
110049
-  M3×6 screw ×11
圓頭螺絲
110001
-  M3×8 screw ×18
圓頭螺絲
110002
-  M3×10 screw ×11
圓頭螺絲
110026
-  M3×14 screw ×7
圓頭螺絲
110061
-  M3×16 screw ×9
圓頭螺絲
110086
-  M3×18 screw ×16
圓頭螺絲
110087
-  M3×20 screw ×1
圓頭螺絲
110088
-  M3×25 screw ×2
圓頭螺絲
110076
-  M3×30 screw ×2
圓頭螺絲
110089
-  M3×5 screw ×4
沉頭螺絲
110041
-  M3×8 screw ×4
沉頭螺絲
110005
-  M3×10 screw ×4
沉頭螺絲
110052
-  M3×16 screw ×6
沉頭螺絲
110073
-  M3×3 screw ×4
止付螺絲
110035
-  M3×16 screw ×16
止付螺絲
110023
-  M3×20 screw ×10
止付螺絲
110009
-  Shaft screw ×4
銷釘螺絲
110090
-  M3×6 Cap screw ×2
有頭螺絲
110011
-  M3×40 Cap screw ×4
有頭螺絲
110091
-  King pin screw ×4
大王螺絲
110092
-  2×9.8 Shaft ×12
插銷
110017
-  3×6×0.5 spacer ×8
墊片
110047
-  3×8×0.5 spacer ×1
墊片
110048
-  M5×7×0.3 spacer ×2
墊片
820020
-  Bevel gear shaft ×2
傘齒軸
310066
-  5×26.8 Shaft ×1
5×26.8 齒軸
310067
-  Gear shaft ×1
輸出軸
310068
-  Main gear shaft ×1
主齒軸
310069
-  CVA axle ×2
CVA輪軸
310070
-  Wheel axle ×2
萬向接杯
310065
-  5×10×4 Bearing ×16
軸承
120021
-  8×12×3.5 Bearing ×2
軸承
120022
-  10×15×4 Bearing ×4
軸承
120023
-  R-clip ×9
R形扣
110016
-  E-clip 4.0 ×4
E扣
110037
-  G-clip 10.0 ×2
G扣
110055
-  Lock nut M3 ×19
防鬆螺帽
110021
-  M4 flange nut ×4
凸緣螺帽
110015
-  MST 48P Pinion Gear 19T
MST 48P 馬達齒 19T
148019
-  3×1 O-ring ×4
O環
130042
-  Solid axle ×1
直軸輪軸
310071

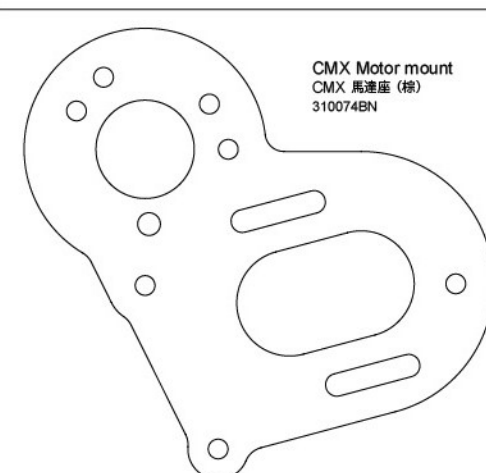
CMX Deceleration gear set
CMX 減速齒組
230014



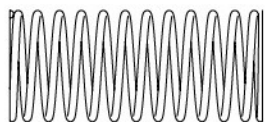
CMX Heavy duty locker set ×2
直軸連接座組
230033



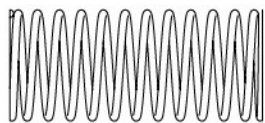
CMX Motor mount
CMX 馬達座 (標)
310074BN



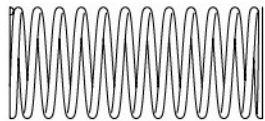
PARTS



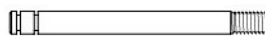
Coil spring 45mm (hard)(silver) ×4
避震彈簧 45mm (硬)(銀)
210529



Coil spring 45mm (medium)(gold) ×4
避震彈簧 45mm (中)(金)
210530



Coil spring 45mm (soft)(red) ×4
避震彈簧 45mm (軟)(紅)
210531



Piston rod ×4
避震軸心
310072



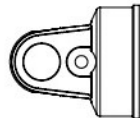
E-clip ×10
E扣
110013



Damper cylinder ×4
避震筒身
230015



Piston ×4
活塞
230015



Cylinder cap ×4
避震器上蓋
210057



Spring spacer ×4
彈簧調整扣 1mm
230015



Rod guide cap ×4
避震器下蓋
210057



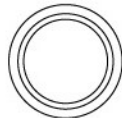
Spring spacer ×4
彈簧調整扣 2mm
230015



Damper retainer ×4
避震器彈簧座
230015



Spring spacer ×4
彈簧調整扣 4mm
230015



Spring holder ×4
彈簧托環
230015



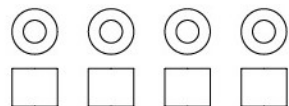
Damper adjuster ×4
避震器拉桿
230015



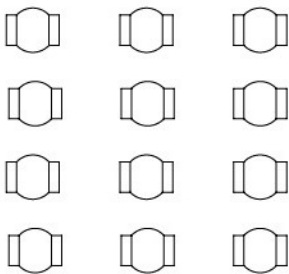
10.8×0.9 O-ring ×4
O環
130032



Damper O-ring P3 ×8
避震器O環
130001



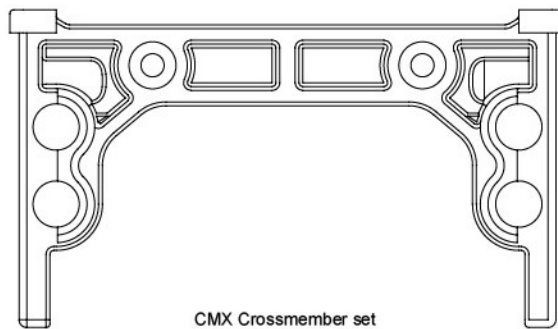
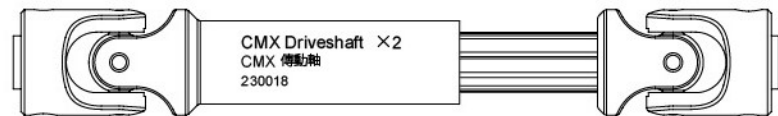
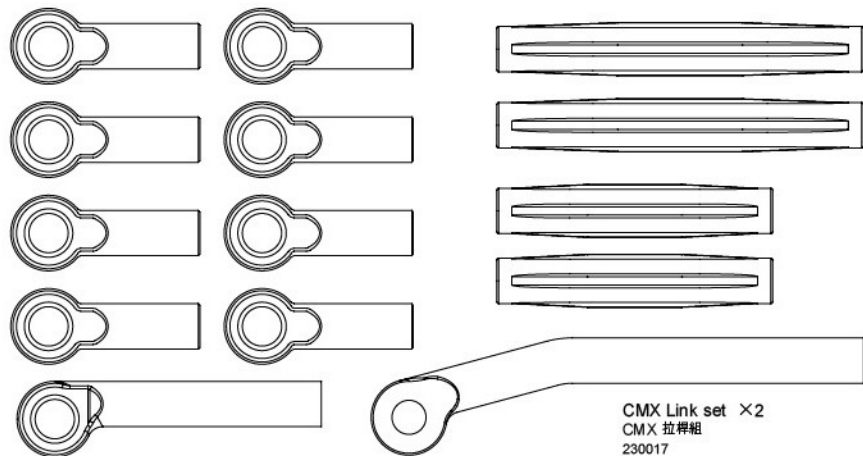
CMX Ball connector set ×2
CMX 球頭組
230016



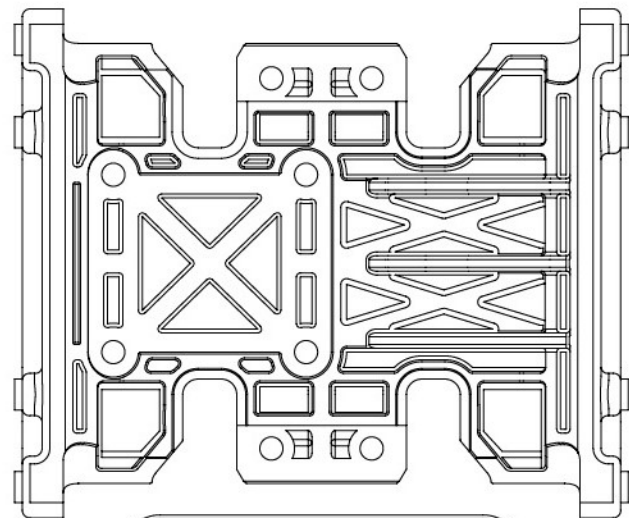
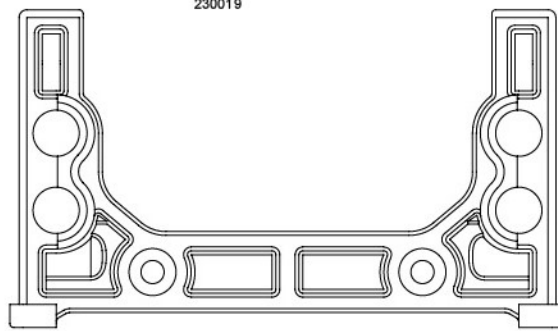
CMX Driveshaft ×2
CMX 傳動軸
230018



CMX Link set ×2
CMX 拉桿組
230017



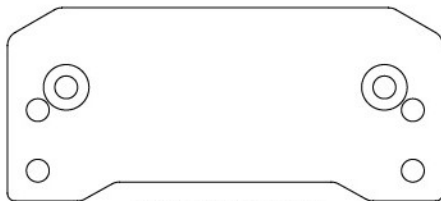
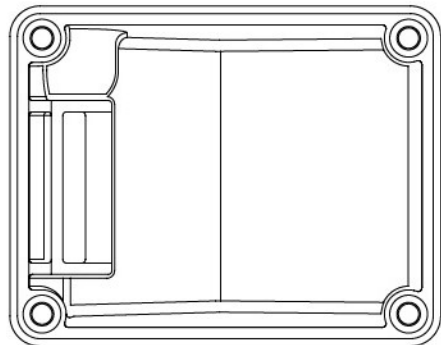
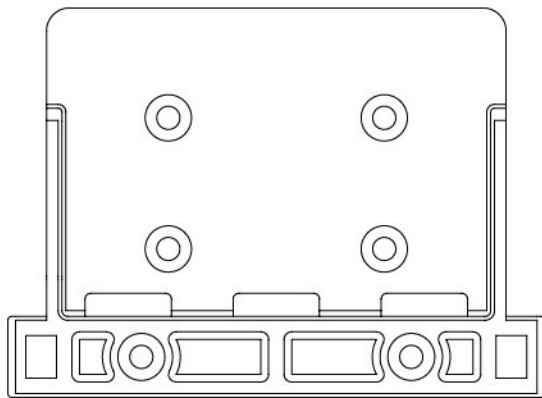
CMX Crossmember set
CMX 橫樑組
230019



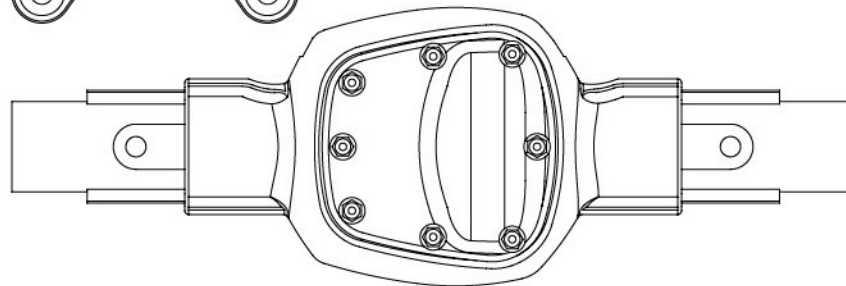
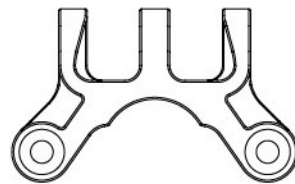
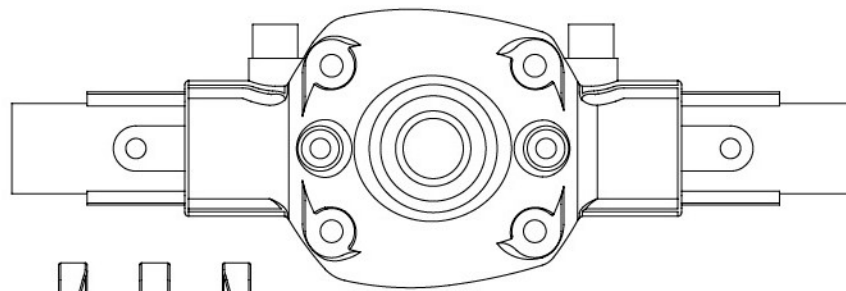
CMX Gear box chassis set
CMX 減速箱底盤組
230020



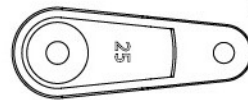
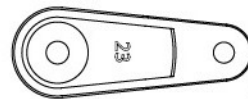
PARTS



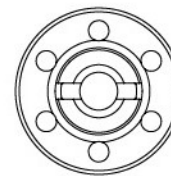
CMX Receiver case set
CMX 接收機盒組
230021



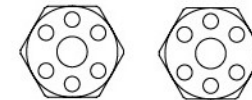
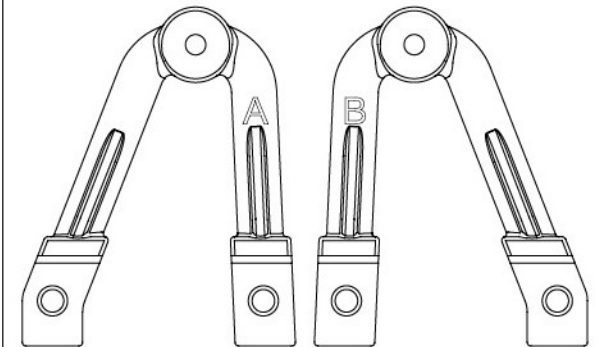
CMX Axle cover ×2
CMX 車軸殼
230022



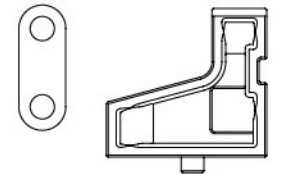
Servo horn set (long) (23T/25T)
伺服機舵片組-長 (23T/25T)
210033



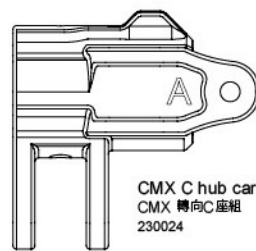
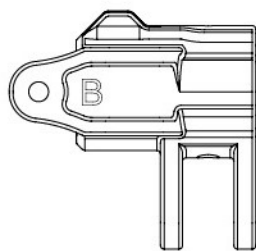
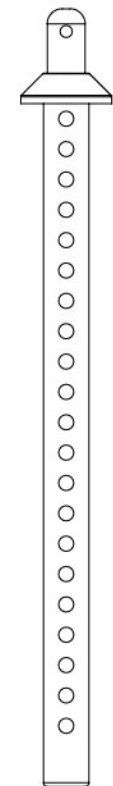
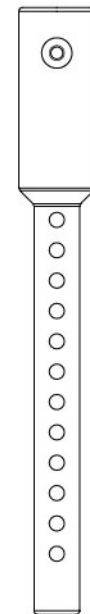
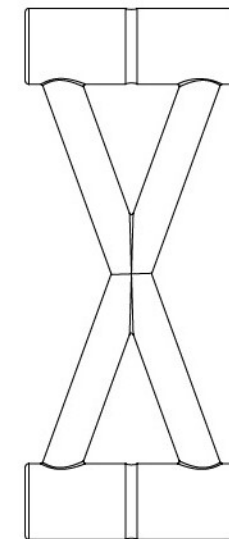
Spur gear holder
齒盤座
230034



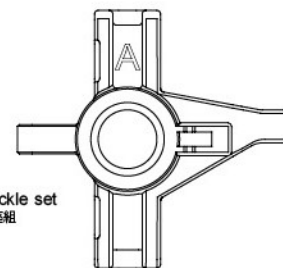
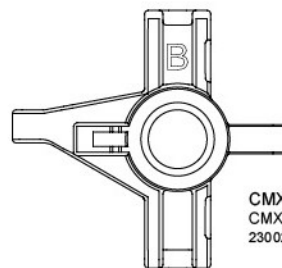
CMX Damper stay set ×2
CMX 避震架組
230023



CMX Car body post set ×2
CMX 車殼支柱組
230026

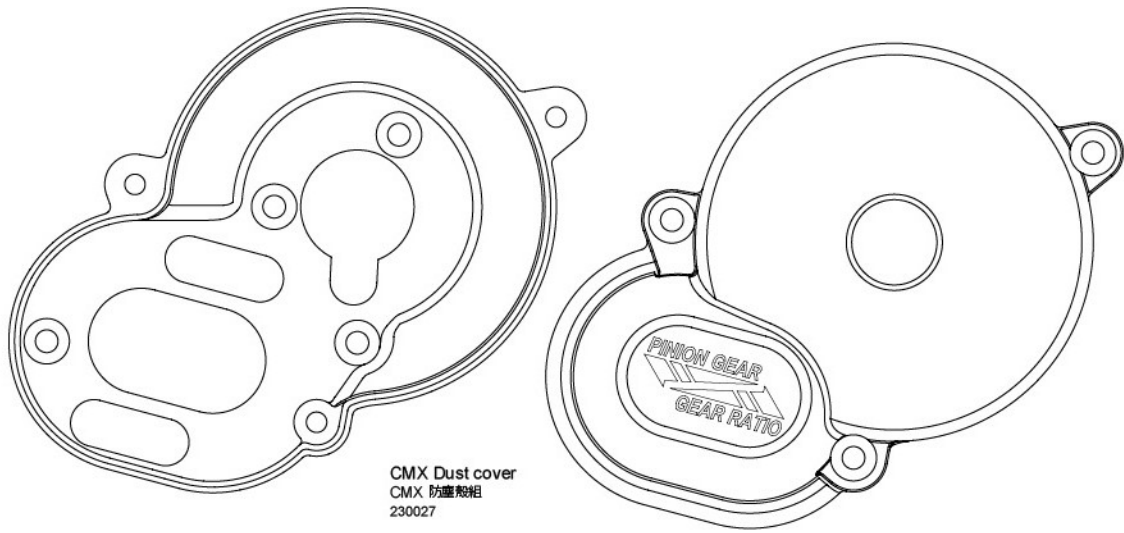


CMX C hub carrier set
CMX 轉向座組
230024

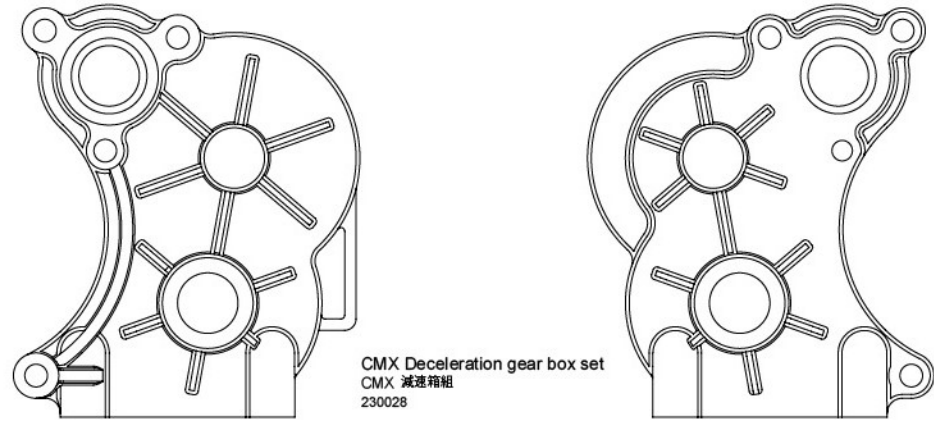


CMX Knuckle set
CMX 轉向座組
230025

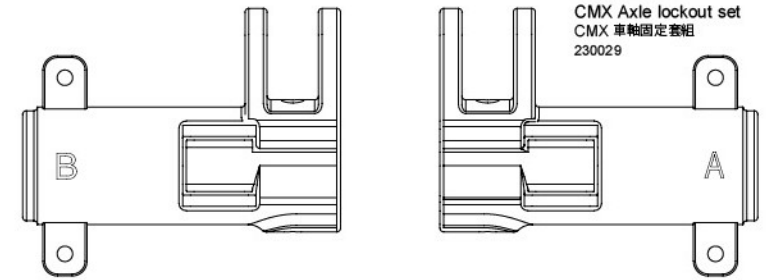
PARTS



CMX Dust cover
CMX 防塵殼組
230027



CMX Deceleration gear box set
CMX 減速箱組
230028

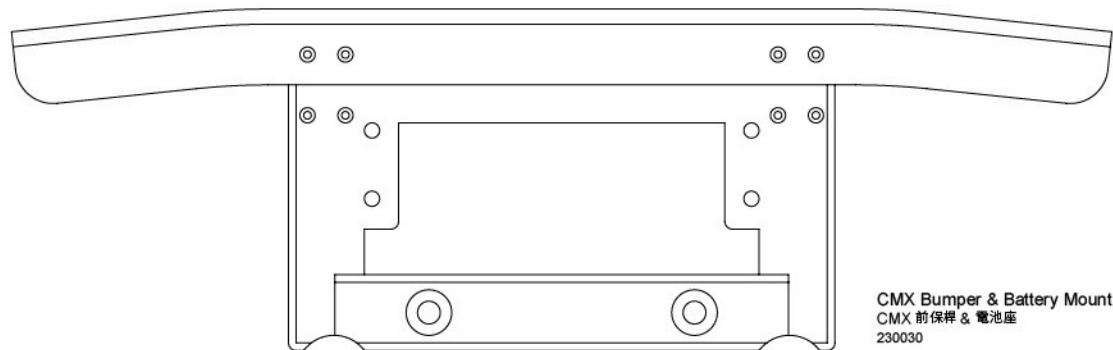


CMX Axle lockout set
CMX 車軸固定套組
230029

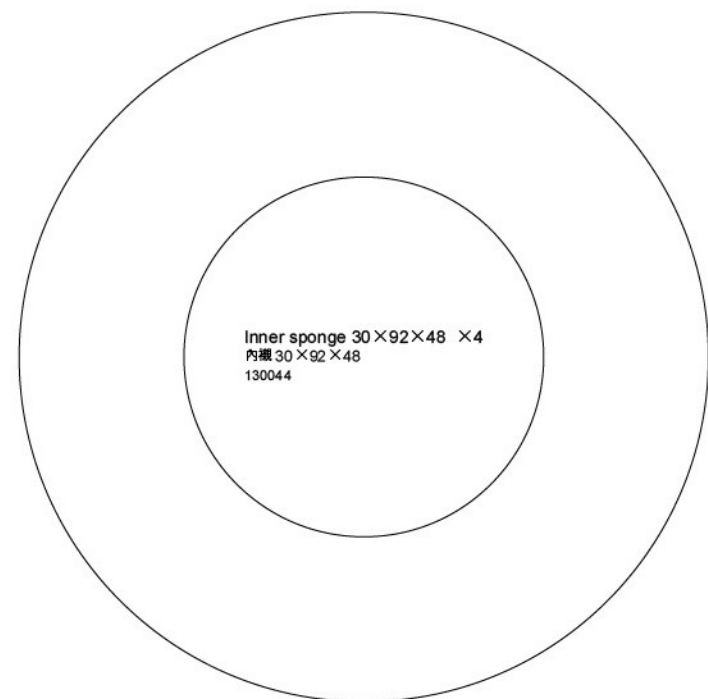
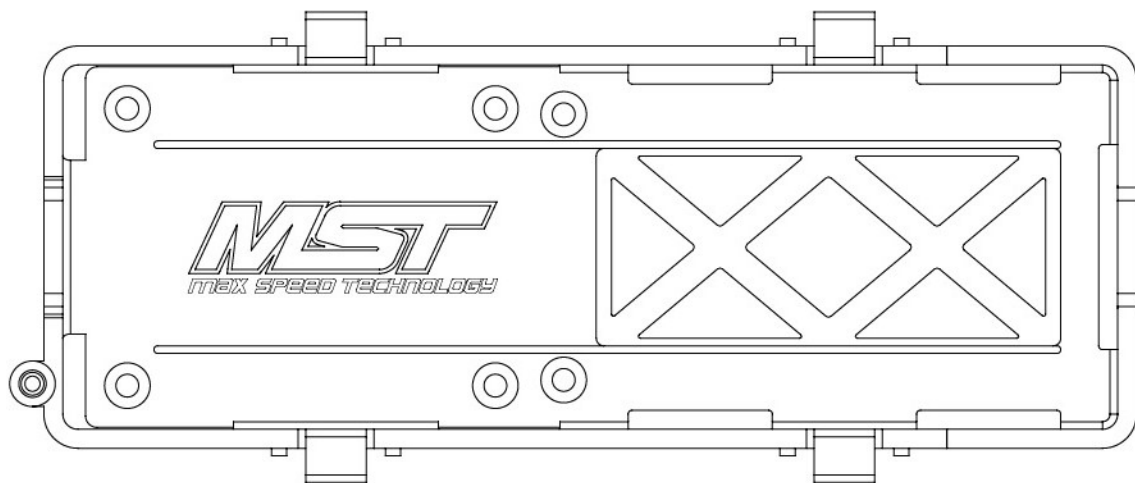


CMX Chassis rail ×2
CMX 大樑
310075

PARTS



CMX Bumper & Battery Mount
CMX 前保桿 & 電池座
230030

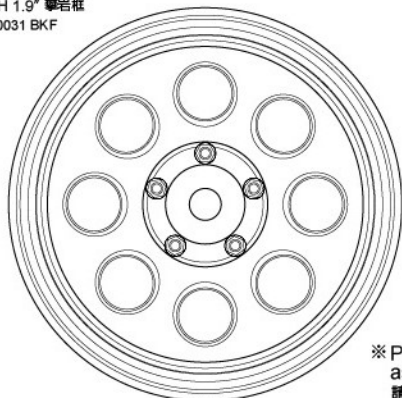


Inner sponge 30×92×48 ×4
內襯 30×92×48
130044

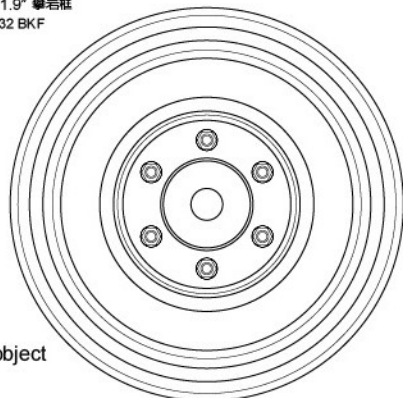


Battery O-ring (S) (2)
電池 O 環
130003

58H 1.9" Crawler wheel ×4
58H 1.9" 攀岩輪
230031 BKF

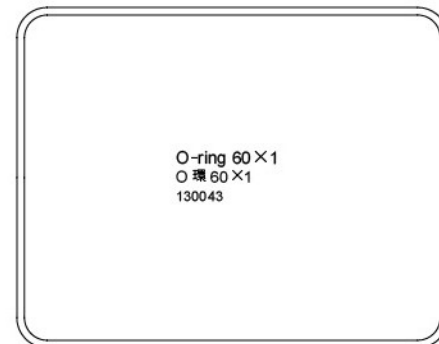
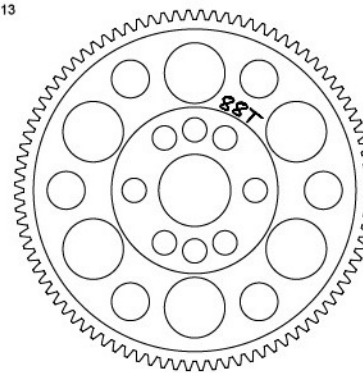


60D 1.9" Crawler wheel ×4
60D 1.9" 攀岩輪
230032 BKF



※ Please make the object
as the standard.
請以實物為主。

Spur gear 48P-88T
大直齒 48P-88T
210013



O-ring 60×1
O 環 60×1
130043

PARTS CODE

101034	KM Crawler tire 30×90-1.9" (2)	110061	Round head screw M3×14 (6)	130043	O-ring 60×1 (2)	230027	CMX Dust cover
110001	Round head screw M3×6 (10)	110073	Countersunk screw M3×16 (6)	130044	Inner sponge 30×92×48 (2)	230028	CMX Deceleration gear box set
110002	Round head screw M3×8 (10)	110084	Round head screw M2×10 (6)	148019	MST 48P Pinion gear 19T	230029	CMX Axle lockout set
110005	Countersunk screw M3×8 (10)	110085	Round head screw M2×16 (6)	210013	Spur gear 88T - 48P	230030	CMX Bumper & battery mount
110009	Set screw M3×20 (6)	110086	Round head screw M3×16 (6)	210033	Servo horn set (long)(23T/25T)	230031	58H 1.9" Crawler wheel (4)
110011	Cap screw M3×6 (6)	110087	Round head screw M3×18 (6)	210042	Gear holder steering rail set	230032	60D 1.9" Crawler wheel (4)
110013	E-clip 2.0 (10)	110088	Round head screw M3×20 (6)	210057	Damper cap set	230033	CMX Heavy duty locker set
110015	Flange nut M4 (4)	110089	Round head screw M3×30 (6)	210529	Coil spring 45mm (hard)(silver)(2)	310065	Wheel axle (2)
110016	R-clip 6.0 (10)	110090	Shaft screw M4×4×12 (6)	210530	Coil spring 45mm (medium)(gold)(2)	310066	Bevel gear shaft
110017	Shaft 2×9.8 (10)	110091	Cap screw M3×40 (6)	210531	Coil spring 45mm (soft)(red)(2)	310067	5×26.8 Shaft
110021	Lock nut M3 (5)	110092	King pin screw (4)	230014	CMX deceleration gear set	310068	Gear shaft
110023	Set screw M3×16 (6)	120021	Bearing 5×10×4 (4)	230015	Damper parts	310069	Main gear shaft
110026	Round head screw M3×10 (10)	120022	Bearing 8×12×3.5 (4)	230016	CMX Ball connector set	310070	CVA Axle (2)
110035	Set screw M3×3 (6)	120023	Bearing 10×15×4 (4)	230017	CMX Link set	310071	Solid axle
110037	E-clip 4.0 (10)	130001	Damper O-ring P3 (red) (10)	230018	CMX Driveshaft	310072	Piston rod (4)
110041	Countersunk screw M3×5 (10)	130008	Black grease	230019	CMX Cross member set	310073	Bevel gear set 36-15
110044	Round head screw M2×6 (6)	130017	Inner sponge (8)	230020	CMX Gear box chassis set	310074BN	CMX Motor mount
110047	Spacer 3×6×0.5 (8)	130022	Damper oil #150	230021	CMX Receiver case set	310075	CMX Chassis rail (2)
110048	Spacer 3×8×0.5 (8)	130023	O-ring P3 (black) (10)	230022	CMX Axle cover	820020	Spacer 5×7×0.3 (8)
110049	Round head screw M3×5 (10)	130032	Damper cap O-ring (10)	230023	CMX Damper stay set	700003S	5.5 & 7.0 Alum. wrench (silver)
110050	Round head screw M2×5 (6)	130034	Sponge 20×80×1 (4)	230024	CMX C hub carrier set		
110052	Countersunk screw M3×10 (10)	130035	L Wrench set (1.5 & 2.0 & 2.5)	230025	CMX Knuckle set		
110055	G-clip 10.0 (10)	130042	O-ring 3×1 (10)	230026	CMX Car body post set		

部品編號

101034	KM 攀岩胎 30×90-1.9" (2)	110061	六角半圓頭螺絲 M3×14 (6)	130043	O環 60×1 (2)	230027	CMX 防塵殼組
110001	六角半圓頭螺絲 M3×6 (10)	110073	六角沉頭螺絲 M3×16 (6)	130044	內襯 30×92×48 (2)	230028	CMX 減速箱組
110002	六角半圓頭螺絲 M3×8 (10)	110084	六角半圓頭螺絲 M2×10 (6)	148019	MST 48P 馬達齒 19T	230029	CMX 車軸固定套組
110005	六角沉頭螺絲 M3×8 (10)	110085	六角半圓頭螺絲 M2×16 (6)	210013	大齒盤 88T - 48P	230030	CMX 前保桿 & 電池座
110009	六角止付螺絲 M3×20 (6)	110086	六角半圓頭螺絲 M3×16 (6)	210033	伺服機舵片組-長 (23T/25T)	230031	58H 1.9" 攀岩框 (4)
110011	六角有頭螺絲 M3×6 (半牙) (6)	110087	六角半圓頭螺絲 M3×18 (6)	210042	齒座搖臂滑軌組	230032	60D 1.9" 攀岩框 (4)
110013	E扣 2.0 (10)	110088	六角半圓頭螺絲 M3×20 (6)	210057	避震器上下蓋組	230033	CMX 直軸連接座組
110015	凸緣螺帽 M4 (4)	110089	六角半圓頭螺絲 M3×30 (6)	210529	避震彈簧 45mm (硬)(銀)(2)	310065	萬向接杯 (2)
110016	R銷 6.0 (10)	110090	銷釘螺絲 M4×4×12 (6)	210530	避震彈簧 45mm (中)(金)(2)	310066	傘齒軸
110017	插銷 2×9.8 (10)	110091	六角有頭螺絲 M3×40 (半牙) (6)	210531	避震彈簧 45mm (軟)(紅)(2)	310067	5×26.8 齒軸
110021	防鬆螺帽 M3 (5)	110092	大王螺絲 (4)	230014	CMX 減速齒組	310068	輸出軸
110023	六角止付螺絲 M3×16 (6)	120021	軸承 5×10×4 (4)	230015	避震膠件組	310069	主齒軸
110026	六角半圓頭螺絲 M3×10 (10)	120022	軸承 8×12×3.5 (4)	230016	CMX 球頭組	310070	CVA 輪軸 (2)
110035	六角止付螺絲 M3×3 (6)	120023	軸承 10×15×4 (4)	230017	CMX 拉桿組	310071	直軸輪軸
110037	E扣 4.0 (10)	130001	阻尼器O環 P3 (紅) (10)	230018	CMX 傳動軸	310072	避震軸心 (4)
110041	六角沉頭螺絲 M3×5 (10)	130008	黑色油膏	230019	CMX 橫樑組	310073	傘齒組 36-15
110044	六角半圓頭螺絲 M2×6 (6)	130017	吸震泡棉 (8)	230020	CMX 減速箱底盤組	310074BN	CMX 馬達座 (棕)
110047	墊片 3×6×0.5 (8)	130022	避震油 #150	230021	CMX 接收機盒組	310075	CMX 大樑 (2)
110048	墊片 3×8×0.5 (8)	130023	O環 P3 (黑) (10)	230022	CMX 車軸殼	820020	墊片 5×7×0.3 (8)
110049	六角半圓頭螺絲 M3×5 (10)	130032	避震上蓋O環 (10)	230023	CMX 避震架組	700003S	5.5 & 7.0 鋁合金套筒工具 (銀)
110050	六角半圓頭螺絲 M2×5 (6)	130034	吸震泡棉 20×80×1 (4)	230024	CMX 轉向C座組		
110052	六角沉頭螺絲 M3×10 (10)	130035	L 板手組 (1.5 & 2.0 & 2.5)	230025	CMX 轉向座組		
110055	G扣 10.0 (10)	130042	O環 3×1 (10)	230026	CMX 車殼支柱組		

026114


WWW.RC-MST.COM